

AURORALIGHT

PROJECT: _____

SKU #: _____

TYPE: _____

AGAVE

HCS100332

The Agave is the smallest in our line of diverse LED pendant luminaires. Ideal when used as a discrete light source in tree canopies. Used in strings for subtle illumination of outdoor dining areas or intimate plazas.

- Cree LED™ XLAMP® High Density (XP-L)
- Thermally Integrated® w/ Copper Core Technology®
- Solid brass construction
- Ideal for trees, patios and architectural features

CONFIGURATOR:

| | | |
|--|---|--|
| HCS100332 | LED | FINISH |
| | <input type="text"/> | <input type="text"/> |
| () = Most common configuration | (2703) 2700K 3W (3003) 3000K 3W | (NAT) Natural Brass (BLP) Bronze Living Patina (BLPX) Extra Dark BLP (NI) Nickel PVD |



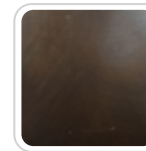
AVAILABLE FINISHES:



NAT
Natural Brass



BLP
Bronze Living Patina

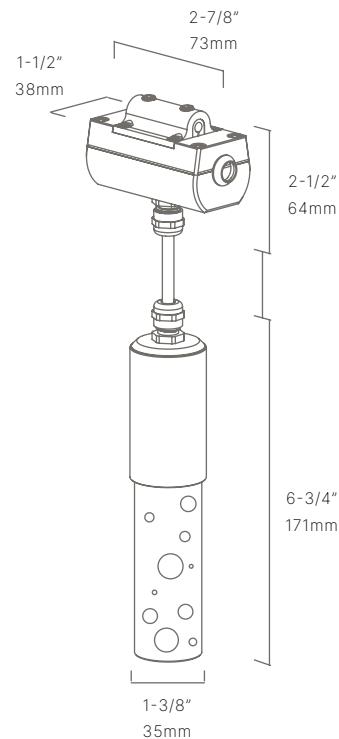


BLPX
Extra Dark Bronze Living Patina



NI
Nickel PVD

| | |
|--------------------|------------------------------------|
| FIXTURE DIMENSIONS | L6-3/4" x D1-3/8" |
| LIGHT SOURCE | Integrated LED |
| COLOR TEMPERATURES | 2700K, 3000K |
| WATTAGES | 3W |
| CRI (RA) | 80 CRI |
| VOLTAGE | 12V |
| DELIVERED LUMENS | 180lm (3000K) |
| DIMMABLE | Yes, Dim to <10% via Transformer |
| DRIVER | Yes, 12V Integral Constant Current |
| TRANSFORMER | No, 12V AC/DC Transformer Required |
| MOUNT | Included J-Box |
| FINISH | Included Natural Brass |
| MATERIAL | Brass |
| LOCATION | Exterior Wet |
| CERTIFICATIONS | UL, IP66, IP67, Dark Sky |
| HOW TO SPECIFY | Call 760.931.2910 |



*For complete warranty terms, please visit: www.auroralight.com/warranty/

P. 760.931.2910

O. 2742 Loker Ave. W Carlsbad CA 92010

W. www.auroralight.com

MADE IN USA
WITH DOMESTIC & IMPORTED MATERIALS



AURORALIGHT

PROJECT:

SKU #:

TYPE:

P. 760.931.2910

O. 2742 Loker Ave. W Carlsbad CA 92010

W. www.auroralight.com

MADE IN USA
WITH DOMESTIC & IMPORTED MATERIALS

